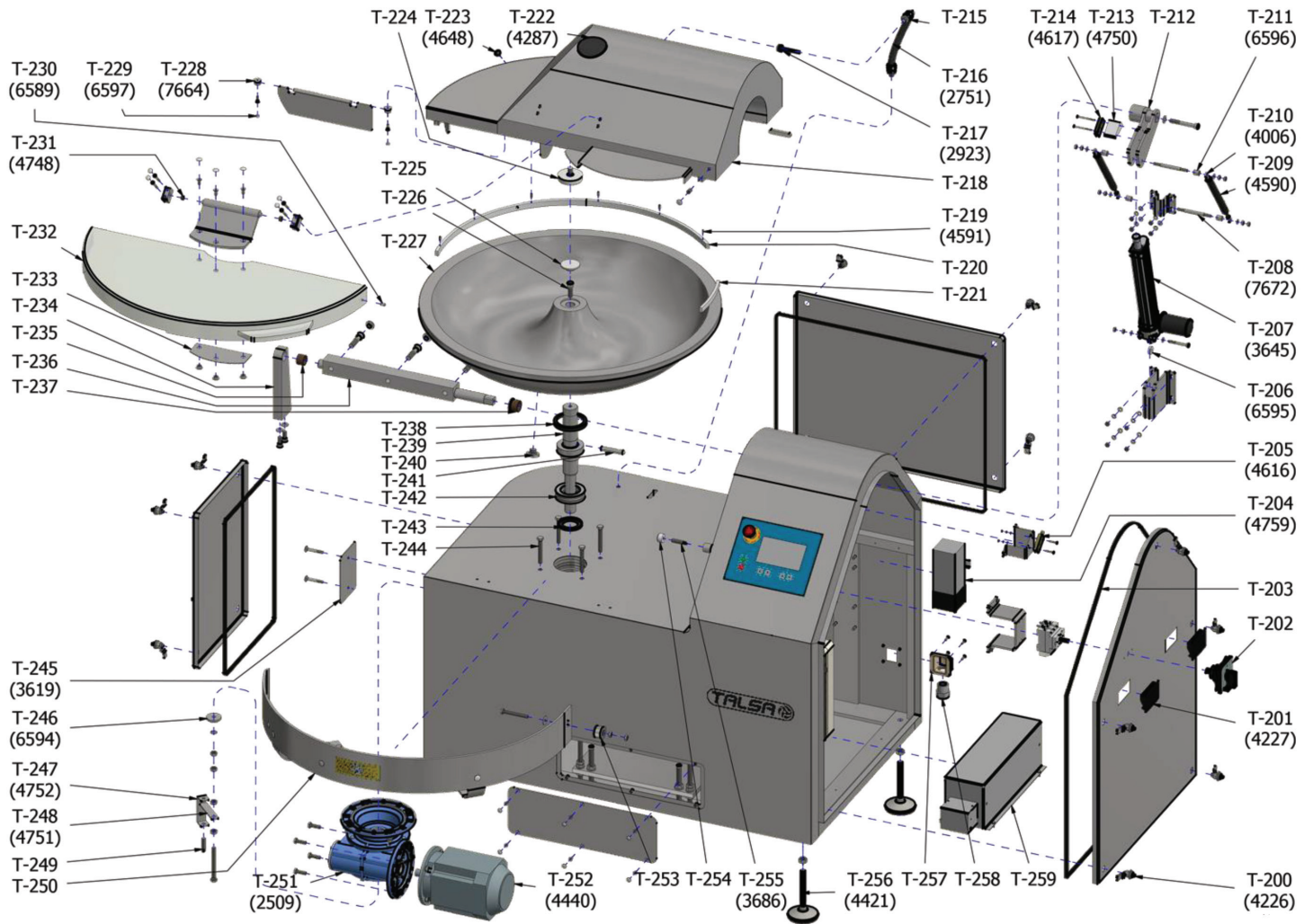


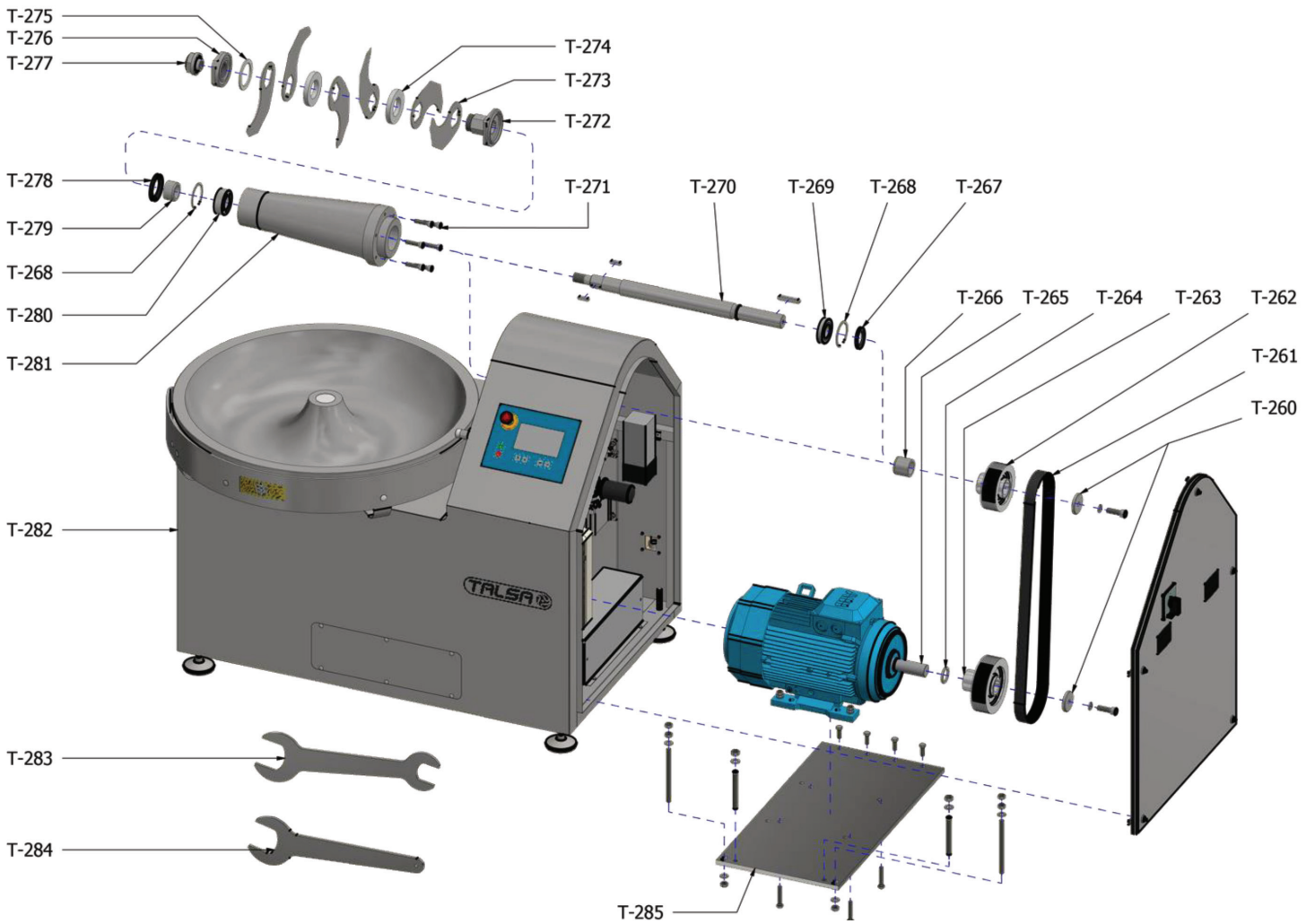
Parts Breakdown

Model FP-ES-0080 10880



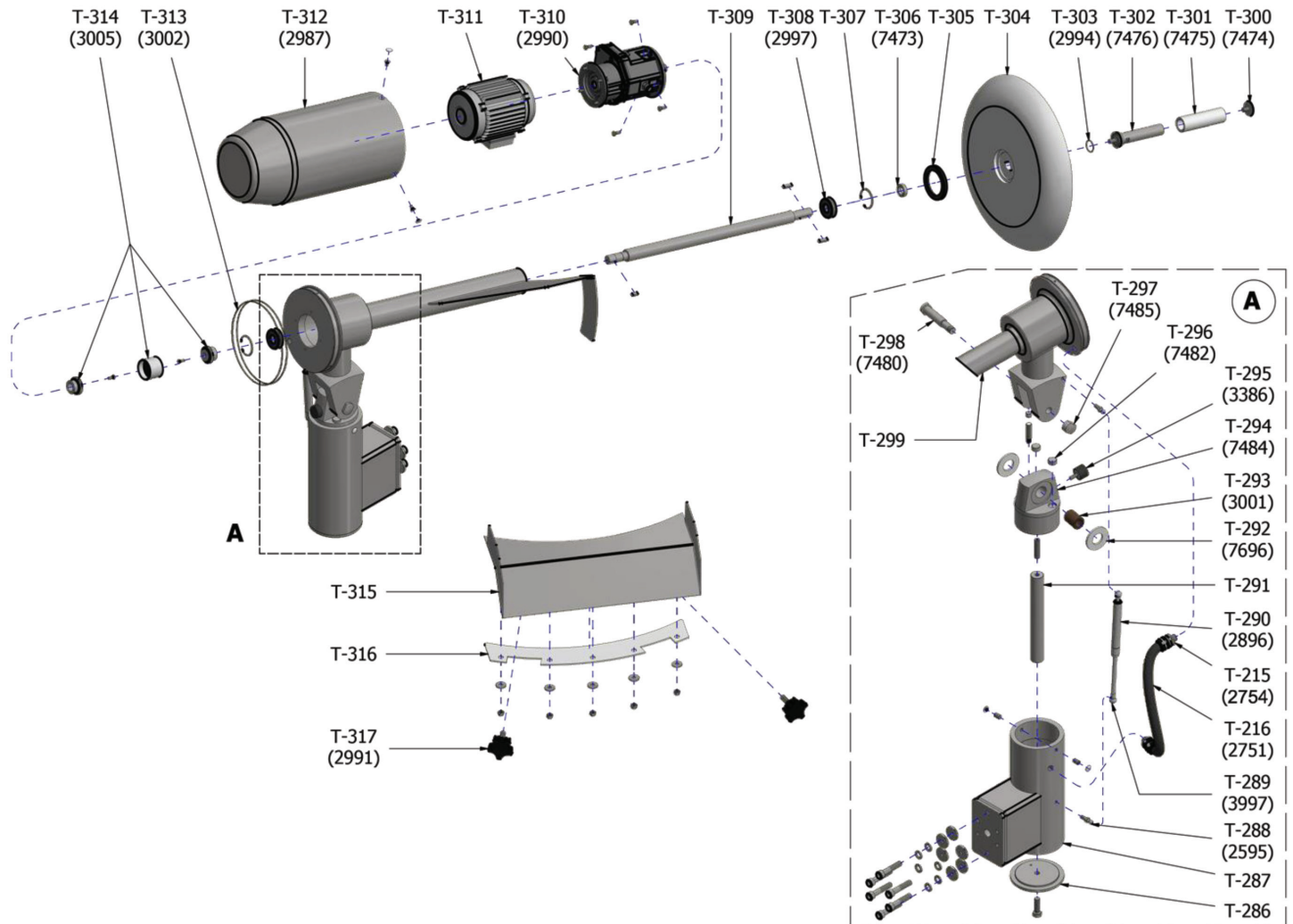
Parts Breakdown

Model FP-ES-0080 10880



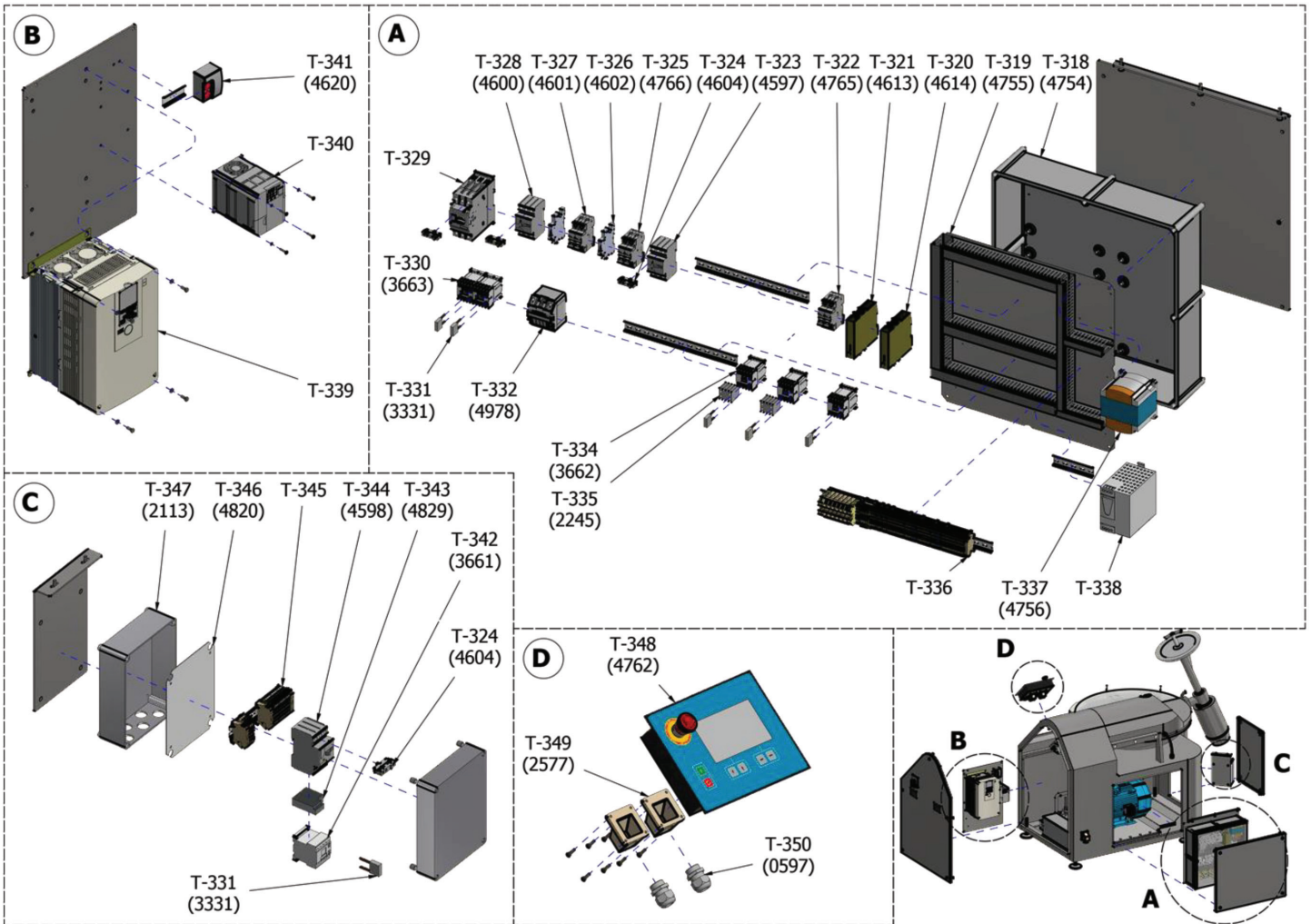
Parts Breakdown

Model FP-ES-0080 10880



Parts Breakdown

Model FP-ES-0080 10880



Parts Breakdown

Model FP-ES-0080 10880

Item No.	Description	Position	Item No.	Description	Position	Item No.	Description	Position
AE209	Rotating Closure, Stainless Steel, Hygienic for 10880	T-200	AE227	Cover, Knife Lid Flap Holder for 10880	T-229	AE293	Threaded Grommet, Grey for 10880	T-258
AE210	Handle for Hatches, Black for 10880	T-201	AE228	Metal Counterpart for Inductive Sensor, Noise Protection Cover for 10880	T-230	AE294	Breaking Resistor for Electronic Drives for 10880	T-259
AE279	Switch, 3-Phase 80A for 10880	T-202	AE229	Brass Bushing for 10880	T-231	AE295	Washer for Pulleys, Motor and Knife Shaft for 10880	T-260
AE212	Edge Profile, U, 2mm EPDM Black (Access Hatch) for 10880	T-203	AE287	Noise Protection Cover, Transparent Plastic for 10880	T-232	AE296	Toothed Belt, Poly-V Multi-Rib for 10880	T-261
AE213	Electric Heater with Ventilation 250W IP20 for 10880	T-204	36353	Lower Hinge Holder, Noise Protection Cover, Stainless Steel for 10880	T-233	AE297	Toothed Belt, Poly-V Multi-Rib for 10880	T-261
AD435	Detector ABB ADAM for 10880	T-205	36346	Knife Lid Shaft Holder, AISI304 for 10880	T-234	AE298	Pulley, Poly-V Knife-Shaft for 10880	T-262
AE214	Aluminum Washer for Lid Lifter for 10880	T-206	36345	Brass Bushing, Lid Shaft, Holder for 10880	T-235	AE299	Pulley, Poly-V Motor for 10880	T-263
36409	Linear Knife Lid Lifter for 10880	T-207	AE288	Square Shaft, Knife Lid, Stainless Steel for 10880	T-236	AE300	Pulley, Poly-V Motor for 10880	T-263
36410	Cam Shaft, Knife Lid for 10880	T-208	36340	Brass Bushing, Lid Shaft, Cabinet for 10880	T-237	AE250	Ring, Knife Motor for 10880	T-264
AE215	Air Piston for 10880	T-209	36367	Gasket, Bowl Shaft, Top for 10880	T-238	AE301	Ring, Knife Motor for 10880	T-264
AE216	Mounting Holder Air Piston for 10880	T-210	36341	Bowl Shaft Gearbox Drive, AISI303 for 10880	T-239	AE302	Knife Motor for 10880	T-265
AE217	Socket Axis Cam, Knife Lid AISI303 for 10880	T-211	AE289	Bowl Drain Plug, Stainless Steel for 10880	T-240	36321	Socket, Knife-Pulley for 10880	T-266
AE280	Welded Lid Lever for 10880	T-212	36342	Pin, Gearbox Shaft, Bowl for 10880	T-241	36332	Circlip, Black for 10880	T-268
AE219	Extension for Detector for 10880	T-213	36368	Bearing, Holder Bowl for 10880	T-242	36415	Bearing, Pulley Side for 10880	T-269
AD433	Detector ABB EVA for 10880	T-214	36369	Gasket, Bowl for 10880	T-243	AE303	Knife-Shaft, Stainless Steel for 10880	T-270
AD445	Grommet, Grey for 10880	T-215	AE290	Stainless Steel Hexagonal Screw, Bowl Gearbox for 10880	T-244	AE304	Allen Screw with Hole (Knife Shaft), Stainless Steel for 10880	T-271
36158	Protection Tube Reinforced for Probe Cable for 10880	T-216	AE291	Trim, Arm Unloaded, AISI304 for 10880	T-245	AE305	Hexagonal Holder for Knives, Counter Clockwise, Stainless Steel for 10880	T-272
36156	Stainless Steel Probe, 3M Cable for Digital Thermometer for 10880	T-217	AD461	Washer, Bowl Shaft, AISI303 for 10880	T-246	36350	Cutter Knife, 4 Cutting Edges, Flat for 10880	T-273
AE281	Stainless Steel Knife Lid for 10880	T-218	AE236	Sub-Panel, Inductive Bowl Sensor for 10880	T-247	AE306	Spacer Ring, White, 3 Knives for 10880	T-274
AD443	Spring Positioner (Friction Band) for 10880	T-219	AE237	Panel, Inductive Bowl Sensor for 10880	T-248	AE307	Spacer Ring, White, 6 Knives for 10880	T-274
AE282	Main Bowl-Lid Friction Band for 10880	T-220	AE238	Inductive Bowl Sensor for 10880	T-249	AE308	Knife Holding Ring Nut, White Armit for 10880	T-275
AE283	Minor Bowl-Lid Friction Band for 10880	T-221	36365	Front Bowl Guard, Stainless Steel for 10880	T-250	36351	Knife Fixing Nut, Counter-Clockwise, 4-Surface, Stainless Steel for 10880	T-276
AE223	Noise Protection Cover Stop, Black Rubber for 10880	T-222	36263	Gearbox, Bowl for 10880	T-251	36352	Blocked Nut, End of Knife Shaft, Counter-Clockwise, Stainless Steel for 10880	T-277
76716	Friction Band Removing Knob for 10880	T-223	AE240	Bowl Motor, 230/400V-50HZ 1,5KW for 10880	T-252	36331	Gasket, Bearing Knife-Shaft, Knife Side for 10880	T-278
AE284	Knife Lid - Bowl Stop for 10880	T-224	36364	Spacer, Front Bowl Guard, Stainless Steel for 10880	T-253	36337	Socket, Knife Holder, Stainless Steel for 10880	T-279
AE285	Cover for Center Bowl Screw for 10880	T-225	36338	Plastic Cover for Inductive Detector, Noise Protection Cover for 10880	T-254	36333	Bearing, Knife Side for 10880	T-280
36361	Allen Screw Bowl Center, Stainless Steel for 10880	T-226	36330	Inductive Sensor, Noise Protection Cover for 10880	T-255	AE309	Knife Shaft Torpedo, Stainless Steel, without Accessories for 10880	T-281
AE286	Bowl, Cast Stainless Steel for 10880	T-227	AE241	Foot, Stainless Steel for 10880	T-256	AE310	Machine Cabinet with Access Panel + Base + Accessories for 10880	T-282
36412	Holder, Knife Lid Flap for 10880	T-228	AE292	Angular Grommet, 90°, Grey (Cord Supply) for 10880	T-257	36311	Spanner/Wrench, Knife Removal, Combined for 10880	T-283

Parts Breakdown

Model FP-ES-0080 10880

Item No.	Description	Position	Item No.	Description	Position	Item No.	Description	Position
36312	Spanner/Wrench, Knife Removal, Large for 10880	T-284	36383	Circlip, Unloader Arm for 10880	T-307	AE318	Circuit Breaker-Motor Protection 63A for 10880	T-329
AE311	Motor Platform for 10880	T-285	36384	Bearing, Unloader Arm for 10880	T-308	36315	Contactora, DC24V 3W 6A for 10880	T-330
36401	Lid, Unloader Arm Base, Stainless Steel for 10880	T-286	36385	Transmission Shaft, Unloader Arm for 10880	T-309	AE269	Antiparasite Block, AC-DC24/48V (Contactora) for 10880	T-331
36391	Unloader Arm Base, Stainless Steel for 10880	T-287	36373	Gearbox, Unloader Arm for 10880	T-310	AE270	4-Channel Electronic Circuit Switch 24VDC/1-2-4-6A for 10880	T-332
AC913	Ball Joint, Male, Stainless Steel, Threaded for 10880	T-288	AE317	Motor, Unloader Arm 3-Phase 0.37KW/0.5HP 3*390/225V-50HZ for 10880	T-311	36314	Contactora, DC24V 2W 1B 6A for 10880	T-334
AD460	Mounting for Air Piston, Stainless Steel for 10880	T-289	36372	Motor, Unloader Arm 3-Phase 0.37KW/0.5HP 3*380/220V-60HZ for 10880	T-311	36227	2 Auxiliary Contacts for 10880	T-335
AD431	Air Piston for 10880	T-290	36370	Cover, Unloader Arm Motor for 10880	T-312	AE271	Terminal Blocks Main Panel for 10880	T-336
36400	Tension Bar for Unloader Arm for 10880	T-291	36397	O-Ring, Unloader Arm Motor for 10880	T-313	AE319	Terminal Blocks Main Panel for 10880 with Unloader Arm for 10880	T-336
36272	Friction Ring, Unloader Arm, Arnite for 10880	T-292	36395	Elastic Coupling, Unloader Arm for 10880	T-314	AE272	Transformer, PRI 400/230V SEC 110/230V for 10880	T-337
36394	Brass Bushing, Unloader Arm for 10880	T-293	36398	Unloader Extracting Pan for 10880	T-315	AE273	Power Supply 10A 24V for Machines 3*400/380V 50/60Hz for 10880	T-338
36393	Unloader Arm Joint, Stainless Steel for 10880	T-294	36399	Friction Band, Extracting Pan for 10880	T-316	AE274	Power Supply 10A 24V for Machines 3*200/240V 50/60Hz for 10880	T-338
AE312	Rubber Shock Absorber, Black for 10880	T-295	36374	Knob, Extracting Pan, Black for 10880	T-317	AE320	Electronic Drive for Knife Motor for 10880	T-339
36389	Unloader Arm Stopper, Stainless Steel for 10880	T-296	AE261	Isolating Box, Modular, Transparent Cover for 10880	T-318	AE276	Electronic Drive for Bowl Motor for 10880	T-340
36396	Nut, Unloader Arm Articulation, Stainless Steel for 10880	T-297	AE262	Base Plate for Isolating Box for 10880	T-319	AD429	Hygro-Thermostat 240V IP20 for 10880	T-341
36387	Shaft Joint, Unloader Arm, Stainless Steel for 10880	T-298	AD470	Safety Relay ABB Sentry SR42 for 10880	T-320	36313	Contactora 6A for 10880	T-342
AE313	Unloader Arm Body for 10880	T-299	AE263	Safety Relay ABB Sentry SR10 for 10880	T-321	AE321	Mini Adapter, DC for 10880	T-343
36377	Screw, Unloader Arm Handle for 10880	T-300	AE264	Thermal Magnetic Circuit Breaker 2P 4A for 10880	T-322	AD480	Circuit Breaker-Motor Protection 1.6A for 10880	T-344
AE314	Ring, Unloader Arm Handle for 10880	T-301	AE265	Circuit Breaker-Motor Protection 2,5A for 10880	T-323	AE277	Terminal Blocks, Unloader Arm for 10880	T-345
36379	Handle, Unloader Arm for 10880	T-302	AD474	Camara for Auxiliary Contacts for 10880	T-324	AE322	Base Plate for Isolating Box for 10880	T-346
36380	O-Ring, Unloader Arm Handle for 10880	T-303	AD468	Thermal Mahnetic Circuit Breaker 2P 2A for 10880	T-325	AE323	Isolating Box, Opaque Lid for 10880	T-347
AE315	Unloader Disk for 10880	T-304	AD469	Auxiliary Contact 6A for 10880	T-326	AE278	Control Panel with Touch Screen for 10880	T-348
AE316	Gasket, Unloader Arm for 10880	T-305	AE266	Thermal Magnetic Circuit Breaker 2P 10A for 10880	T-327	AD451	Angular Grommet, 90°, Grey (Cord Supply) for 10880	T-349
36376	Separator Ring, Unloader Arm for 10880	T-306	AE267	Circuit Breaker-Motor Protection 8A for 10880	T-328	AD452	Threaded Grommet, Grey for 10880	T-350